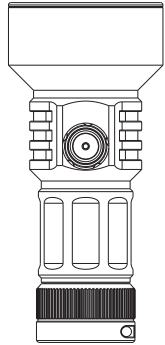


铜版纸157克, 双面印刷, 尺寸335x98mm, 五折六页, 风琴折



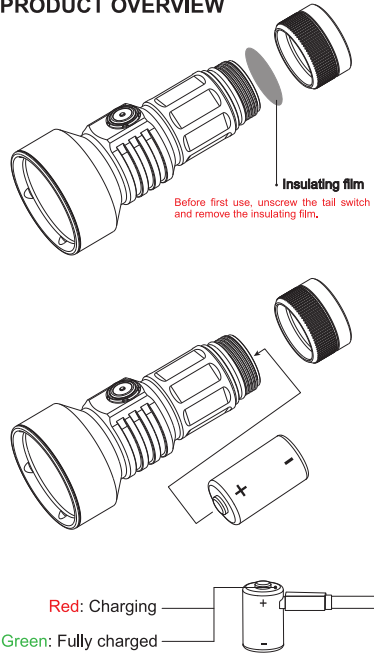
User Manual



E10 2.0

Long-Range Compact EDC Flashlight

PRODUCT OVERVIEW



FEATURES

COMPACT EDC FLASHLIGHT

- Powered by a CREE XP-LR LED, it delivers a cleaner, more controlled beam that extends visibility to impressive distances
- Reach up to reaching up to 1,200 Lumens and 715 meters, ideal for long-range use
- A custom TIR optic that ensures exceptional light transmission for a smooth, far-reaching beam

CONVENIENT FEATURES

- Intuitive side switch allows for smooth, one-handed use and mode changes with reliable comfort
- The magnetic tail attaches securely to most metal surfaces, giving you the freedom to work with both hands
- The included lanyard integrates the flashlight into your grip, ensuring it's always secure and instantly available

EASY TO POWER UP

- Included with 1 x ACEBEAM 16340 850mAh USB-C Rechargeable Li-ion Battery
- Compatible with CR123 Battery (Brightness will be limited)

BUILT TO ENDURE

- Crafted from aerospace-grade AL6061-T6 aluminum and a hard-anodized finish to survive 1.5-meter drops
- Its IP68 rated protection ensures reliable performance in severe weather

COMPACT AND LIGHTWEIGHT

- Ultra compact, making it integrate easily into your daily carry, slipping into pocket easily
- Size: 88mm/3.47"(Length) x 40mm/1.58"(Head Dia.) x 24.5mm /0.97"(Tube Dia.), Weight: 106.5g/3.75oz (incl. battery)

ACCESSORIES

- 1x E10 2.0 Flashlight; 1x 16340 USB-C Rechargeable Battery; 1x USB-C Charging Cable; 2x O-rings; 1x Lanyard; 1x User Manual; 1x Warranty Card; 1x Qualification Certificate

OPERATIONS

LOCK/UNLOCK

Lock: While off, press and hold for 3s until it flashes three times to enter lockout mode.

Unlock: In lockout mode, press and hold for 3s until it flashes three times to unlock and enters Ultra-Low.

ON/OFF

On: Single press to enter memory brightness mode.
Off: Single press.

MODE SELECTION

Ultra Low: Press and hold while off.

Brightness Adjustment: While on, press and hold to cycle through Low, Medium, High. The current level will be remembered when powered off.

Turbo: Double press.

Strobe: Triple press.

BATTERY INDICATOR

When using a 16340 battery:
Green: voltage $\geq 3.3V$, **Red:** voltage $< 3.3V$

When using a CR123 battery:
Red: voltage $\geq 2.3V$, **Red Flash:** voltage $< 2.3V$

WARNING

- By using this device, you certify you have read the included User Manual and Warning Card and release the manufacturer and retailers from all liabilities.
- Please use in accordance with applicable laws and regulations.
- Keep out of reach of children.
- DO NOT shine the light directly into human eyes. This may cause temporary blindness, or permanent damage to the eyes.
- DO NOT cover the light head when the flashlight is on, or place the flashlight head on the ground. The radiation energy of the flashlight may cause damage to the flashlight itself, or even result in burning to other materials.
- DO NOT modify/disassemble the light, otherwise the user will be in charge of the all responsibilities.
- Please use turbo mode with caution. Turbo greatly reduces the runtime and leads to high temperature on the flashlight surface.
- When the product is used in a low-temperature environment, please try and keep it warm. If the temperature is too cold, it may not reach the highest output.
- If the product is left unused or carrier and transported, please lock the button to avoid accidentally activating the flashlight.
- Please keep the front lens clean. Due to radiation energy, it may heat up foreign matter on the lens which can potentially cause damage.
- The battery can only be stored inside the product and charged with the included standard charging cable.
- Quality batteries with circuit protection will reduce the potential risk.
- Store the battery with care. Please store the battery in a dedicated box after being taken out of the product if the battery needs to be changed.

PRODUCT WARRANTY

- If the customer experiences any problems with an Acebeam product within 15 days of purchase, the dealer will replace that product.
- If an Acebeam flashlight fails during normal use within a period of 10 year of purchase, the dealer will repair or replace the flashlight with the same or similar model.
- The battery comes with a one-year (12 months) warranty from date of purchase, and the warranty does not cover additional accessories.
- The warranty does not cover damage or failure caused by:
 - Rough usage or operation which does not comply with the user manual or product specifications.
 - Unauthorized disassembly, repair or modification, Defects or damaged caused by factors out of Acebeam's control.
 - Battery leakage damaged products.
- If there are any questions about ACEBEAM products, please consider the warranty and contact Acebeam or your original Acebeam dealer for warranty return instructions.
Email: cs@acebeam.com

DISCLAIMER CLAUSE

Acebeam is not liable for damages or injuries sustained resulting from the usage of the product inconsistent with the warnings in the manual.



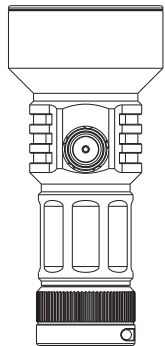
ACEBEAM TECHNOLOGY CO., LIMITED
SHENZHEN ZENBON TECHNOLOGY CO., LTD
+86 0755 23036551
www.acebeam.com
cs@acebeam.com

3/F, No.2 Building, Yijiang Industrial Park, Dalang,
Longhua, Shenzhen 518100, Guangdong, China

Copyright © ACEBEAM. All rights reserved.
Powered by Acebeam Technology Co., Ltd



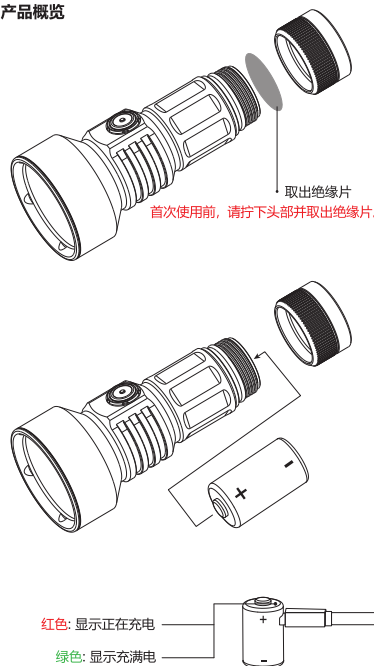
User Manual



E10 2.0

远射小巧EDC手电

产品概览



产品特性

卓越光学性能

- 搭载CREE XP-LR LED, 光束纯净, 照明距离显著提升
- 亮度达1200流明, 射程达715米, 满足远距离使用需求
- 定制TIR光学透镜, 光束均匀且射程深远

便捷实用功能

- 直观侧按开关, 支持单手流畅操作与模式切换, 手感舒适可靠
- 尾部磁吸设计, 牢固吸附于多数金属表面, 解放双手便于作业
- 随附手绳, 增强握持安全感, 确保随身携带、随时取用

轻松补充电力

- 标配1节ACEBEAM 16340 USB-C可充电锂电池
- 兼容CR123电池 (高亮以上模式亮度受限)

坚固耐用设计

- 采用航天级AL6061-T6铝合金机身, 硬质氧化表面处理, 可承受1.5米跌落
- IP68防护等级, 不惧恶劣天气, 性能稳定可靠

紧凑轻量化

- 超紧凑设计, 轻松融入日常携带, 便携随行
- 尺寸: 88毫米 (长) x 40毫米 (头部直径) x 24.5毫米 (筒身直径), 重量: 106.5克 (含电池)

包装清单

- 1x E10 2.0手电; 1x 16340 USB-C电池; 1x USB-C充电线;
- 2x O形圈; 1x 挂绳; 1x 用户手册; 1x 保修卡; 1x 合格证

性能参数

FLI STANDARD	CREE XP-LR LED (16340电池)					
	极亮	高亮	中亮	低亮	极低亮	爆闪
☀️	1200~500~150~15流明	500~150~15流明	150~15流明	15流明	2流明	1200~500~150~15流明
🕒	30秒+32分钟+23分钟+2小时	35分钟+23分钟+2小时	2小时50分钟+2小时	25小时	120小时	30秒+1小时10分钟+40分钟+4小时
📏	715米	426米	241米	89米	715米	715米
💡	127806坎德拉	45369坎德拉	14520坎德拉	1980坎德拉		127806坎德拉
📏	2米			✓	1.5米	

注: 以上数据按照国际手电筒测量标准ANSI/PLATO FL1所述之测量方法, 使用1节ACEBEAM 16340电池, 为ACEBEAM实验室实测, 具体使用需要根据实际环境而定, 如有疑问请联系客服。

操作步骤

锁键/解锁

锁键: 关机状态下长按3秒, 闪烁3次, 进入锁键状态。
解锁: 锁键状态下长按3秒, 闪烁3次, 解锁并自动进入极低亮。

开/关机

开机: 单击按键, 进入记忆亮度模式。
关机: 单击按键。

模式选择

极低亮模式: 关机状态下长按。
档位调节: 开机状态下长按按键, 亮度按“低—中—高”顺序循环切换, 关机时将记忆当前档位。
极亮模式: 快速双击按键。
爆闪模式: 快速三击按键。

电量指示

使用16340电池时:
绿灯: 电压 $\geq 3.3V$
红灯: 电压 $< 3.3V$

使用CR123电池时:
红灯: 电压 $\geq 2.3V$
红灯闪烁: 电压 $< 2.3V$

警告

- 使用前先仔细阅读包装内的说明书和警告标签, 并确保已熟知并遵守。
- 推荐使用合格且带有电路保护的电池。
- 严禁在手电亮时直接照射眼睛及皮肤, 以免造成视力损伤或皮肤灼伤, 并远离儿童。
- 使用者需按当地法律法规及相关注意事项操作, 出现任何法律问题与制造商及销售商无关。

保养及注意事项

- 请勿自行拆卸部件, 否则将会导致保修失效并可能损坏手电。
- 灯具长时间以极亮档位工作会积累大量的热量并及时导出, 因此手电使用中发热是正常现象。
- 长期使用, 手电筒尾部螺纹的润滑脂会减少, 为了保持螺纹顺滑, 请及时使用专业润滑脂来润滑螺纹。
- 长期使用后, 手电的防水圈可能会老化。请及时更换防水圈以维持手电的防水性能。
- 请及时清洁手电的导电接触面以保证手电的正常工作, 尤其是当手电出现异常的闪烁或无法点亮的时候, 有可能是接触面有污渍导致, 尝试用酒精棉签清洁导电接触面。
- 由于锂电池会自放电, 所以建议在长期不使用手电时将电池取出, 并至少每4个月为电池充电一次。
- 此手电防水效果优良, 但不可作为专业潜水手电使用。

售后/保修条款

- 15天退换: ACEBEAM产品自售出日起15天内, 在正常使用情况下, 如有任何质量问题, 均可向经销商要求免费退换。
- 保修10年: ACEBEAM产品自售出日起10年内, 在正常使用情况下, 如有任何质量问题, 均可享受免费维修服务。
- 电池保修期为1年, 产品附加配件不在保修范围内。
- 本条款不适用于以下情况:
 - 人为破坏, 拆解, 改装本产品;
 - 错误操作导致产品损坏 (如电池装反等);
 - 电池漏液导致产品损坏
- 如对ACEBEAM产品有任何疑问请参照保修条款并联系当地代理商或发邮件到cs@acebeam.com.

免费条款 Acebeam 对因不按手册中的警告使用产品而造成的损害或伤害不承担任何责任。



深圳市邦邦科技有限公司
+86-755-23036551
www.acebeam.com
cs@acebeam.com

深圳市龙华新区大浪街道华韵路300号佳扬工业园2栋3楼
Copyright © ACEBEAM.
深圳市邦邦科技有限公司对本说明书内容的最终解释权及修改权